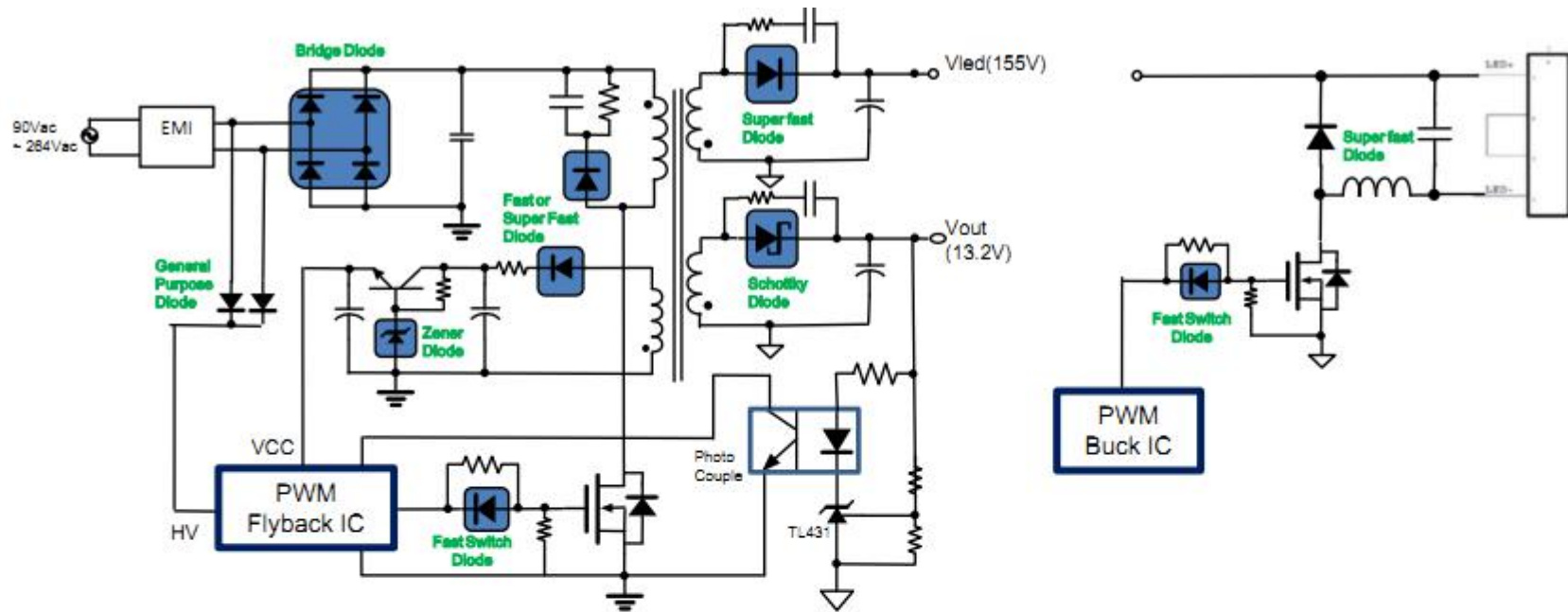


PSU(开关电源) —Flyback(半波整流) +LED Driver(Buck)



Bridge Diode

D3UB80
 D4UB80
 GS3J x 4(SMC)
 GS5J x 4(SMC)

Fast Diode

GR1M(SMA)
 F1MF(SMAF)
 FR107G(DO-41)
Super Fast Diode
 HS1M(SMA)
 HER108G(DO-41)

Fast Switch Diode

1N4148W
 (SOD-123)
 1N4148WS
 (SOD-323)

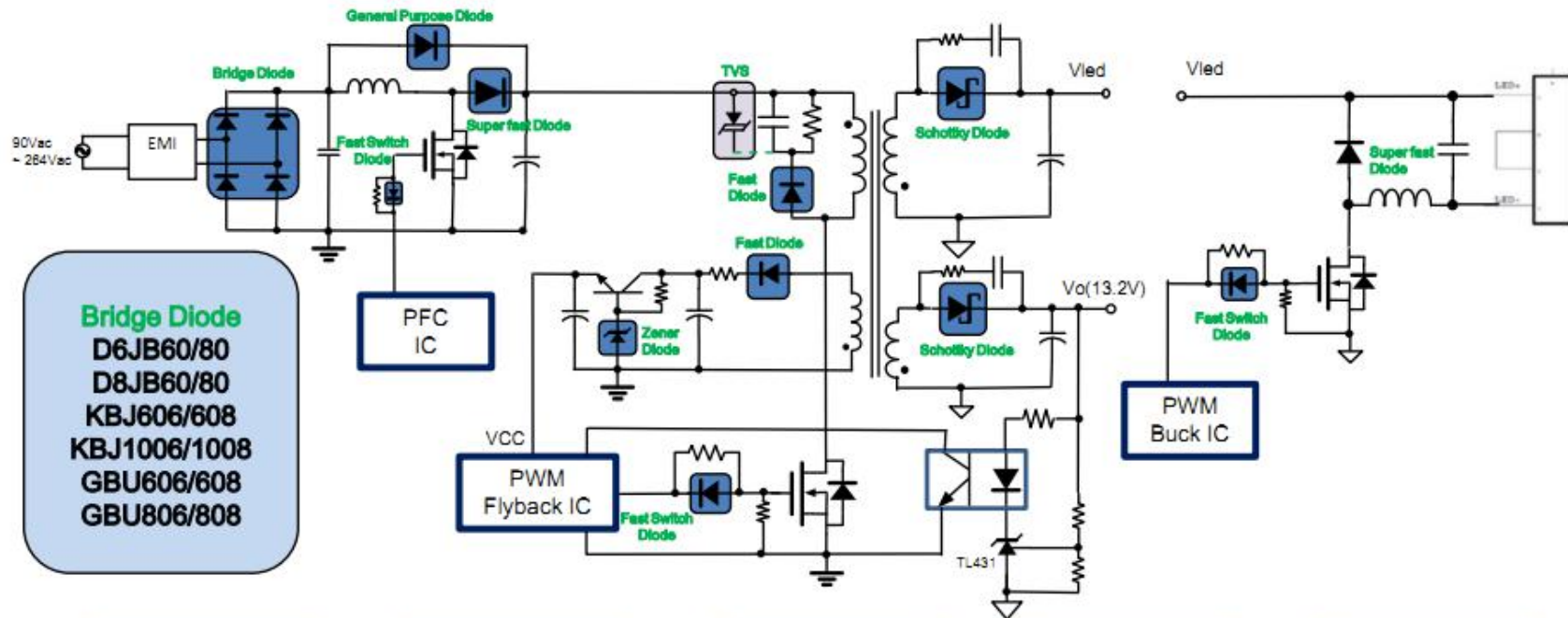
Schottky Diode

(ITO-220AB)
 MBR20100FCT
 MBRL20100FCT
 (TO-252)
 SR20100CS
 SRT20L100D

Super Fast Diode

ES2GA(SMA)
 SF26G-E(DO-15)

PSU(开关电源) —PFC+Flyback(半波整流) +LED Driver(Buck)



Bridge Diode
D6JB60/80
D8JB60/80
KBJ606/608
KBJ1006/1008
GBU606/608
GBU806/808

General purpose
GS3M(SMC)
GS5M(SMC)
1N5408(DO-201AD)
Super Fast Diode
HER508G
(DO-201AD)
MUR1060FCT
(ITO-220AB)

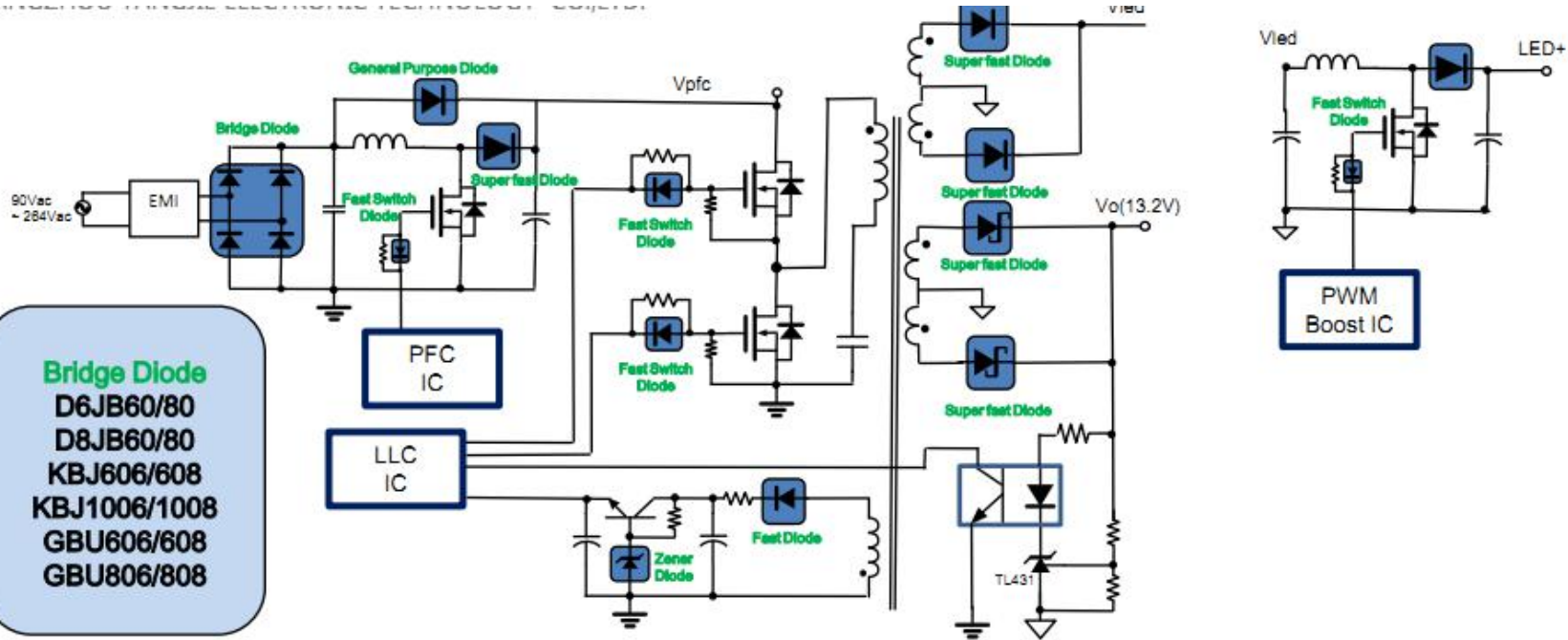
Fast Diode
GR1M(SMA)
F1MF(SMAF)
FR107G(DO-41)
Super Fast Diode
HS1M(SMA)
HER108G(DO-41)

Fast Switch Diode
1N4148W
(SOD-123)
1N4148WS
(SOD-323)

Schottky Diode
(ITO-220AB)
MBR20100FCT
MBRL20100FCT
(TO-252)
SR20100CS
SRT20L100D

Super Fast Diode
ES2GA(SMA)
SF26G-E(DO-15)

PSU(开关电源) —PFC+LLC(全波整流) +LED Driver(Boost)



- Bridge Diode**
 D6JB60/80
 D8JB60/80
 KBJ606/608
 KBJ1006/1008
 GBU606/608
 GBU806/808

- General purpose**
 GS3M(SMC)
 GS5M(SMC)
 1N5408(DO-201AD)
Super Fast Diode
 HER508G
 (DO-201AD)
 MUR1060FCT
 (ITO-220AB)

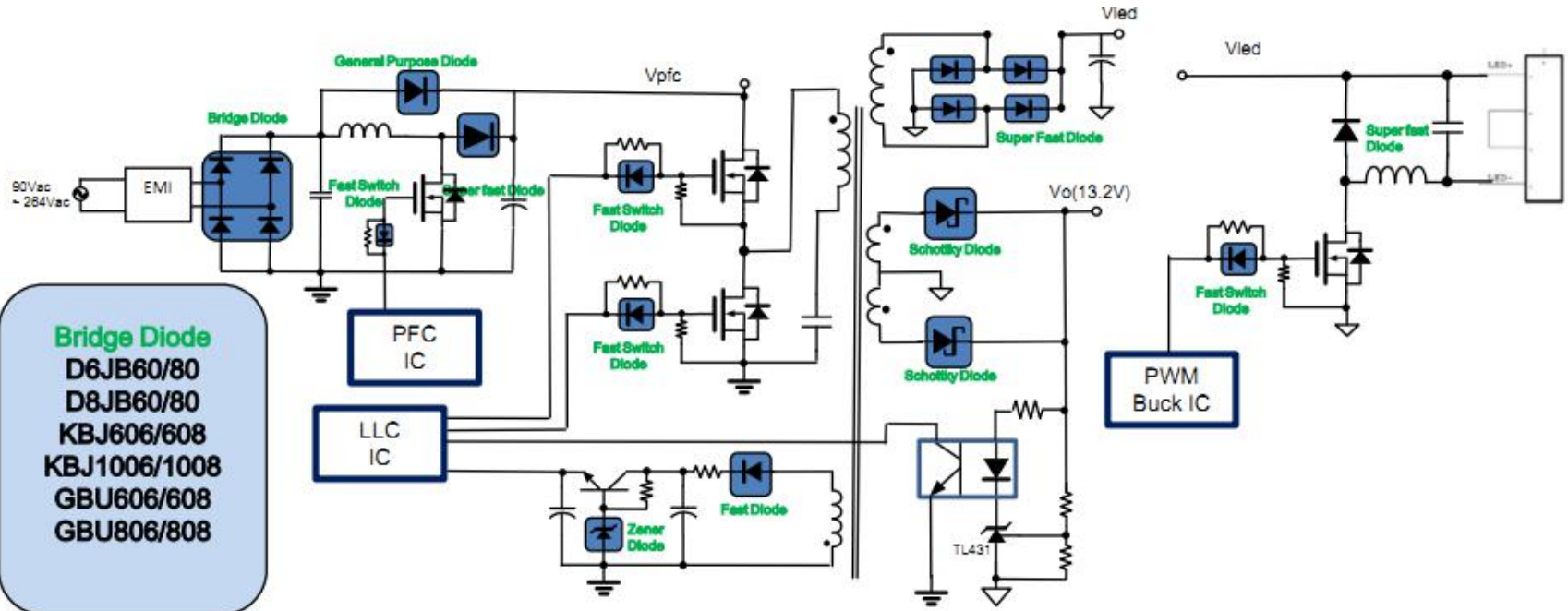
- Fast Diode**
 GR1M(SMA)
 F1MF(SMAF)
 FR107G(DO-41)
High Efficient Diode
 HS1M(SMA)
 HER108G(DO-41)

- Fast Switch Diode**
 1N4148W
 (SOD-123)
 1N4148WS
 (SOD-323)

- Schottcky Diode**
 (ITO-220AB)
 MBR2060FCT
 MBR20100FCT
 MBRL2060FCT
 MBRL20100FCT
 (TO-252)
 SRT10L60D
 SRT10L100D
 SRT20L100D

- Schottcky Diode**
 (ITO-220AB)
 MBR10200FCT
Super Fast Diode
 ES2JA(SMA) x 4
 SF26G-E
 (DO-15) x 4

PSU(开关电源) —PFC+LLC(桥式整流) +LED Driver(Buck)



Bridge Diode

D6JB60/80
D8JB60/80
KBJ606/608
KBJ1006/1008
GBU606/608
GBU806/808

General purpose

GS3M(SMC)
GS5M(SMC)
1N5408(DO-201AD)
Super Fast Diode
HER508G
(DO-201AD)
MUR1060FCT
(ITO-220AB)

Fast Diode

GR1M(SMA)
F1MF(SMAF)
FR107G(DO-41)
High Efficient Diode
HS1M(SMA)
HER108G(DO-41)

Fast Switch Diode

1N4148W
(SOD-123)
1N4148WS
(SOD-323)

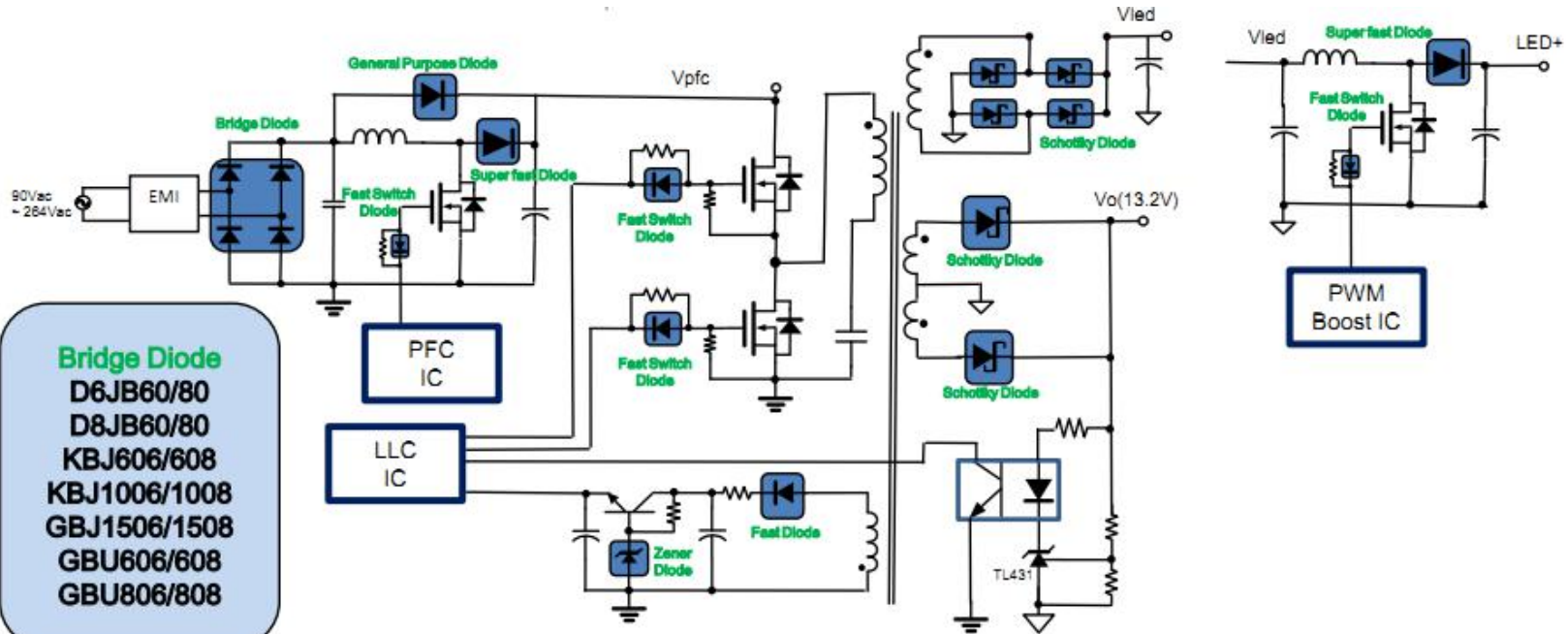
Schottky Diode

(ITO-220AB)
MBR2060FCT
MBR20100FCT
MBRL2060FCT
MBRL20100FCT
(TO-252)
SRT10L60D
SRT10L100D
SRT20L100D

Schottky Diode

(ITO-220AB)
MBR10200FCT
Super Fast Diode
ES2JA(SMA) x 4
SF26G-E
(DO-15) x 4

PSU(开关电源) —PFC+LLC(桥式整流) +LED Driver(Boost)



Bridge Diode

D6JB60/80
D8JB60/80
KBJ606/608
KBJ1006/1008
GBJ1506/1508
GBU606/608
GBU806/808

General purpose

GS3M(SMC)
GS5M(SMC)
1N5408(DO-201AD)

Super Fast Diode

HER508G
(DO-201AD)
MUR1060FCT
(ITO-220AB)

Fast Diode

GR1M(SMA)
F1MF(SMAF)
FR107G(DO-41)

High Efficient Diode

HS1M(SMA)
HER108G(DO-41)

Fast Switch Diode

1N4148W
(SOD-123)
1N4148WS
(SOD-323)

Schottky Diode

(ITO-220AB)
MBR2060FCT
MBR20100FCT
MBRL2060FCT
MBRL20100FCT
(TO-252)
SRT10L60D
SRT10L100D
SRT20L100D

Schottky Diode

(ITO-220AB)
MBR10200FCT
Super Fast Diode
ES2JA(SMA) x 4
SF26G-E
(DO-15) x 4